

ROTARY TABLE

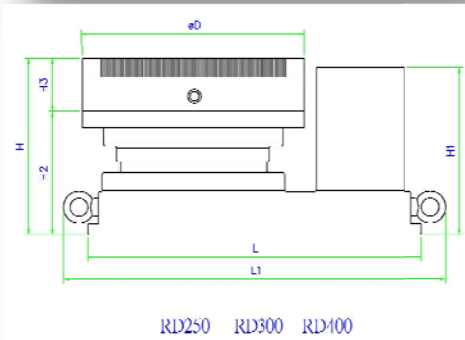
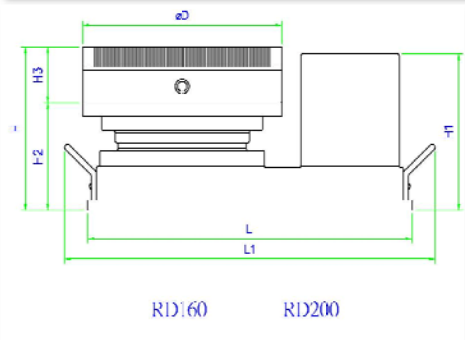
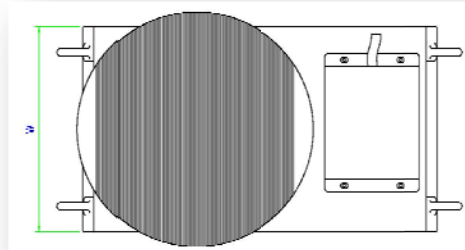
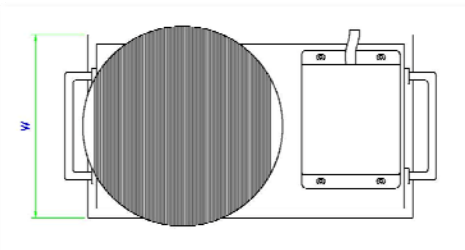
AGENT BY SIAM ELMATECH CO., LTD.

Rotary Table with Electro Magnetic ChuckEquiptop Surface
Grinder Option Accessories



Speed adjustable rotary magnetic chuck specification

Model No.	L	L1	W	H	H1	H2	H3	Ø D	Volt 1PH	Motor ratio	R.P.M / min	Torque Kgcm	Load	N.W
RD160-10	280	325	138	153	146	103	50	160	110V	75W 1:15	25-200	30	15kg	28kg
RD160-20	280	325	138	153	146	103	50	160	220V	75W 1:15	25-200	30	15kg	28kg
RD200-10	325	370	176	180	177	122	58	200	110V	120W 1:20	15-150	58	22kg	46kg
RD200-20	325	370	176	180	177	122	58	200	220V	120W 1:20	15-150	58	22kg	46kg
RD250-20	376	442	218	190	183	132	58	250	220V	200W 1:20	12-125	116	30kg	64kg
RD300-20	424	490	244	207	186	144	63	300	220V	200W 1:20	12-125	116	40kg	88kg
RD400-20	540	606	342	228	220	165	63	400	220V	400W 1:20	12-125	160	60kg	155 kg



www.siamelmatechgroup.com

Siam Elmatech Co.,Ltd.

ID LINE : [udomsaksodsai](https://www.whatsapp.com/channel/00291111111111111111)

E-MAIL : ukofset@ksc.th.com

MOBILE : 089-776-2912

THE GRAND
METALEX2016
NOV 23-26, 2016.
BITEC, BANGKOK, THAILAND.

Siam elmatech HALL : 102
BOOTH NO. BI21
Siam Elmatech Co., Ltd.