



1224CNC / 1228CNC

CNC series
*HUMANIZED SERVO CONTROL SYSTEM
PRECISION CNC GRINDERS*

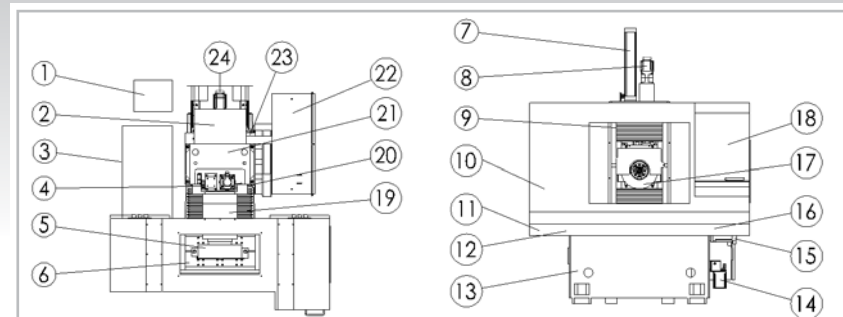


Friendly tucked swing type control panel

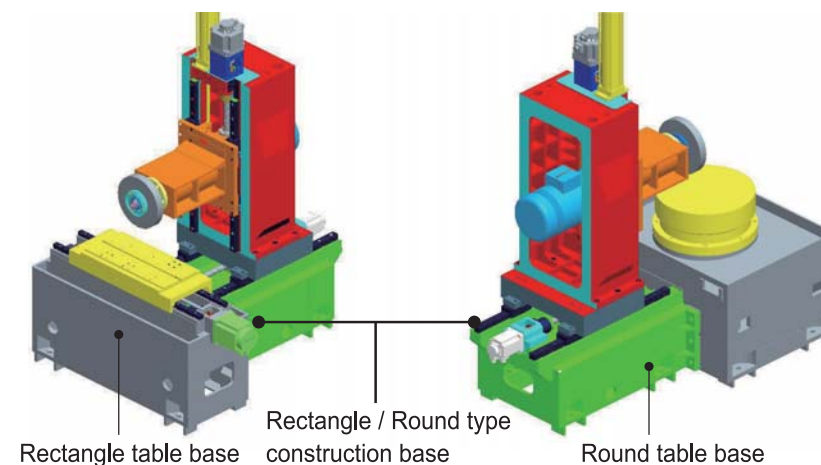
CNC series SPECIFICATIONS

units: mm

DESCRIPTIONS		MODEL	1224 CNC	1228 CNC
TABLE SIZE			300 x 600	300 x 700
Max. grinding length	Longitudinal		650	750
Max. grinding width	Crosswise		330	
Max. Distance from table surface to spindle centerline			630	
standard magnetic chuck size			300 x 600	300 x 700
Longitudinal movement of table	Max. Travel, hydraulic		650	750
	Max. Travel, manual		700	800
	Max. Travel, infinitely variable		60Hz , 5 ~25 m/min ; 50Hz , 5 ~20 m/min	
Cross transverse travel	Auto transverse increment		1 ~ 25	
	Auto constant feeding speed		20 ~ 230 mm/min	
	Max. auto transverse travel		310	
	Max. manual transverse travel		340	
	Handwheel per graduation		x1 / x10 / x100 / 0.001	
wheelhead vertical infeed	Automatic infeed		0.001 ~ 0.05	
	step feed(Jog)		x1 / x10 / x100 / 0.001	
	Rapid travel, Approx		150	
	Slow travel Approx.		6	
	Speed		50 / 60Hz , 1450/1750 R.P.M.	
	Power rating(HP)		60Hz , 5 ~25 m/min ; 50Hz , 5 ~20 m/min	
standard grinding wheel	Diameter		355	
	Width		50	
	Bore		127	
motor	power rating		1 / 1.5 / 1.8	
Floor space	Total space required(Kw)		3100 x 3300 x 2900	
Weights	Net weight /Gross weight (Kgs)		3600 / 3850	
Rated power, Approx	HP		16	
Packing dimensions	L x W x H		2050 x 2300 x 2150	



1.Oil cooling system	9. Cover	17. Grinding wheel
2.Spindle motor guard	10. Splash Cover	18. Operation panel
3.Coolant /oil separator	11. Splash cover support	19. Spindle seat
4.Limited switch	12.Table limited switch	20. Limited switch
5.Grinding wheel guard	13. Base	21. Column
6.Table	14.oil distributor	22. Electrical box
7.Counter balance	15. Servo motor	23. Limited switch
8.Servo motor	16. Table limited switch	24. Servo motor



EQUIPTOP HITECH CORP.

NO.500, SAN FENG RD., HOULI DISTRICT,
TAICHUNG CITY, TAIWAN, R.O.C.

■ TEL : +886-4-25576060

■ e-mail: equiptop@hibox.hinet.net

■ FAX : +886-4-25569677.25575866

■ [http : www.equiptop.com.tw](http://www.equiptop.com.tw)