

Ball Valve Mould พิมพ์ลูกที่สอง หลังจากส่งเครื่อง และติดตั้ง VMC-800 Mecatron

ตัวแทนจำหน่ายประเทศไทย : บริษัท สยาม เอลมาเทค จำกัด

www.siamelmatechgroup.com

อีเมลล์ : ukofset@ksc.th.com

โทรศัพท์ : 02-1596391-3

มือถือ : 0897762912



Mecatron

CNC
VERTICAL
MACHINING
CENTERS

龍馬精機



Vertical CNC Machining Centers

Mecatron

SMART CNC MACHINING CENTERS
Dapper entry-level models. Small but complete.

VMC-600/800/855

(X, Y, Z Linear way)

Features

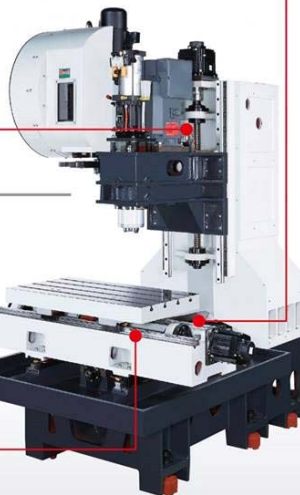
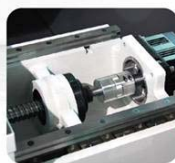
- The machine is constructed from high quality Meehanite castings.
- Variety of high speed cutting selection, low noise cutting with stable materials.
- Great cutting capability is combined with superior accuracy and performance that can mill and bore easily.
- High speed machines are specially designed for industries that demand high precision and high accuracy, such as small holes cutting, electronics industry, automotive and job shop industries.



MECATRON MACHINERY ● The Best Partner You Can Trust

High Rigidity Unity Structure

Motor base and bearing housing are one unit casting design. The design shows the motor transmission and ballscrew with the best roundness of center. It can also extend the life of ballscrew and get the best feed precision and stability.



Linear Guideways

Using precision three-axis linear guideways, the travel moves fast and smoothly. High-speed and high-precision machining matches customers' need.



MECATRON MACHINERY ● The Best Partner You Can Trust

04

Mecatron

SMART CNC MACHINING CENTERS
Dapper entry-level models. Small but complete.

PL Waterproof Working Light



All machines are equipped with a PL working light as the standard equipment. Strong and solid, and it will not damage easily.

Special Copper Pipes



Each one has detective pistons with pressure sensor switch which can send status signals during operation or intermittent time. If there's any pipes blockage problem caused by dust, the distributor will send an alarm message to PLC and notify the user for emergency measures.



Our system uses copper pipes, so don't need to worry about the fracture problems and Turcite-B damage caused by mechanical precision problems in the future.



MECATRON MACHINERY ● The Best Partner You Can Trust

05

Machine Specifications

Unit: mm (inch)

MODEL	VMC-600	VMC-800	VMC-855
Table	450 x 800 (17.7 x 31.5)	450 x 900 (17.7 x 35.4)	510 x 1000 (20 x 39.4)
T-Slots	16 x 4 x 100	16 x 4 x 100	16 x 4 x 100
Table Loading (kg)	350	400	500
Travel of X/Y/Z Axis	650 x 450 x 500 (25.6 x 17.7 x 20)	800 x 500 x 500 (31.5 x 20 x 20)	850 x 550 x 550 (33.5 x 21.7 x 21.7)
Travel	Spindle Nose to Table 120 - 610 (24)	120 - 610 (24)	120-670 (26.4)
Spindle Center to Column Surface	540 (21.3)	540 (21.3)	600 (23.6)
Door Opening Width	850 (33.5)	850 (33.5)	950 (37.4)
Spindle Taper	STD: BT40 OPT: BT50	STD: BT40 OPT: BT50	STD: BT40 OPT: BT50
Spindle	Spindle Speed (rpm)	STD: 8000 OPT: 10000, 12000	STD: 8000 OPT: 10000, 12000
Rapid Feed Rate (M/min)	30/30/30 (Linear)	30/30/30 (Linear)	30/30/30 (Linear)
Cutting Feed Rate (mm/min)	5-10000	5-10000	5-10000
Motor	Spindle Motor (HP)	10	15
X/Y/Z Axis Motor (kw)	1.5/1.5/2	1.5/1.5/2	2/2/2
ATC Type	STD: Carouse 16T OPT: Arm 24T	STD: Carouse 16T OPT: Arm 24T	STD: Carouse 16T OPT: Arm 24T
Power Requirement (kw)	25	25	25
Air Pressure (kg/cm ²)	6	6	6
Miscellaneous	Cooling Motor (HP)	3/4	3/4
Cooling Tank Capacity (L)	250	280	300
Machine Weight (kg)	4800	5000	5500
Machine Size (L x W x H)	2400 x 2200 x 2500	2400 x 2200 x 2500	2600 x 2200 x 2500
Control	FANUC / MITSUBISHI / SIEMENS		

***Design and Specifications are subject to change without prior notice**

- Standard:**
- Carouse type ATC
 - Full-chip enclosed guard
 - Spindle air blast system
 - Heat exchanger in electrical cabinet box
 - Belt type spindle BT40 8000 rpm
 - PL waterproof working light
 - Coolant pump
 - Operator indication lamp
 - Spindle arbor cleaning
 - Air gun and washdown
 - Manual pulse generator
 - Automatic lubrication system
 - Spindle oil chiller
 - Operator's manual and maintenance manual
 - Parts list
 - Tool box
 - Transformer
- Optional:**
- Arm type ATC
 - 4th axis NC rotary table
 - Screw type chip conveyor
 - Chain type chip conveyor
 - Backward chip flushing system
 - Spindle speed 10000/12000 rpm
 - Direct driven spindle 12000/15000 rpm
 - Built-in spindle 24000/30000 rpm
 - Coolant-thru spindle
 - Full roller type linear guideways
 - Optical scale
 - Oil skimmer

MECATRON MACHERY - The Best Partner You Can Trust

ถาวรสุวิทย์ 23 กับ Siam Elmatech Co., Ltd.

SiEI - Mecatron



SiEI - Etch



WE DO SUPPLY

MACHINE TOOLS & TECHNOLOGIES

SiEI - JOEMARS



SiEI - UChina



SiEI - EXTRON



SiEI - MAX



SiEI - EQUIPTOP



บริษัท สยาม เอลเมทเทค จำกัด / SIAM ELMATECH CO., LTD.
 12/3 หมู่ 10 ซอยอนุสรณ์ 4 ตำบลท่าทราย อำเภอเมืองสุพรรณบุรี 11120
 12/3 Moo 10, Klong-khol, Pak-kred, Nonthaburi 11120
 Ins / Tel.: (02) 159 6391-3, (084) 757 6602 โทรสาร / Fax.: (02) 159 6394
 E-mail: ukofset@ksc.th.com Website: www.siamelmatechgroup.com